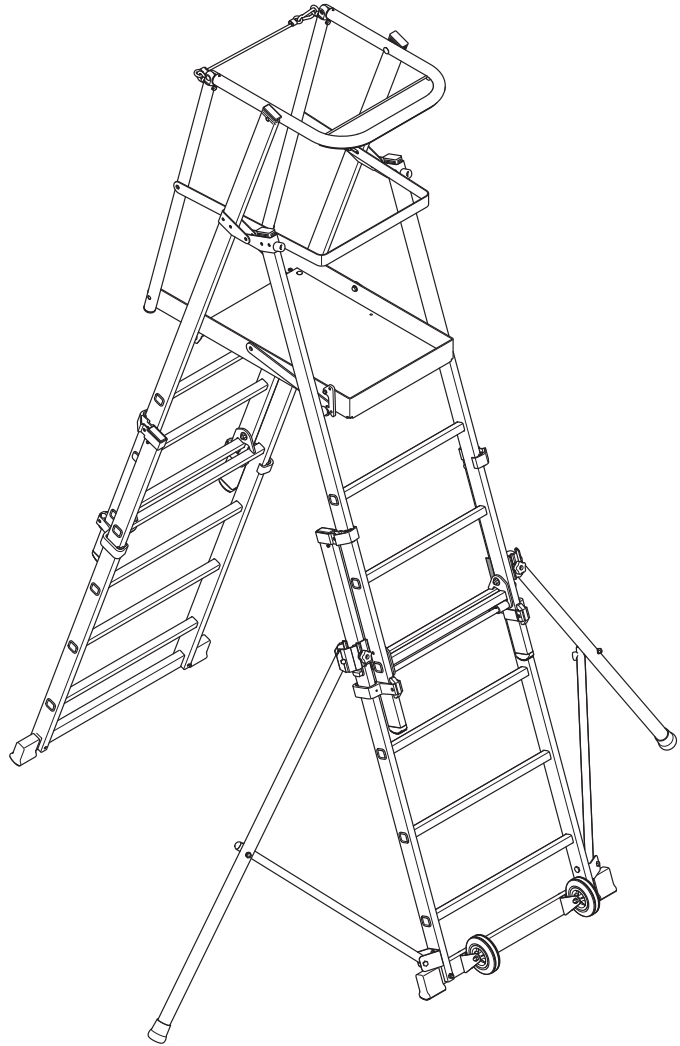




ZARGES

en

Instructions for assembly and use  
ZAP telescopic platform ladder



**Z600**

Nº

**291361**

# Instructions for assembly and use ZAP telescopic platform ladder

## Contents

<b>1. Information on this manual</b> .....	<b>2</b>
1.1 General notes .....	2
1.2 Explanation of symbols .....	2
1.3 Product nameplate.....	3
1.4 Information plate.....	4
<b>2. Safety instructions</b> .....	<b>4</b>
2.1 Intended use .....	4
2.2 Improper use .....	4
2.3 General safety instructions.....	4
2.4 Notes for personnel .....	5
2.5 Safety instructions for working with electrical equipment .....	5
<b>3. Technical description</b> .....	<b>6</b>
3.1 Scope of delivery.....	6
3.2 Type plate.....	6
3.3 Technical data .....	7
<b>4. Assembly</b> .....	<b>8</b>
4.1 Safety instructions for assembly .....	8
4.2 Assembly instructions.....	8
4.3 Final steps .....	8
<b>5. Use</b> .....	<b>8</b>
5.1 Safety instructions on use.....	8
5.2 Safety instructions for moving the platform ladder.....	9
<b>6. Dismantling, storage and transport</b> .....	<b>9</b>
6.1 Dismantling .....	9
6.2 Storage.....	9
6.3 Transport .....	9
<b>7. Repairs</b> .....	<b>9</b>
7.1 Cleaning.....	9
7.2 Inspection .....	9
<b>8. Disposal</b> .....	<b>10</b>

# 1. Information on this manual

---

**1.1 General notes** These instructions are valid for the following products:



ZAP telescopic platform ladder

The instructions in this manual must be read, understood and complied with to ensure correct and safe erection and operation of the product. Failure to comply with these instructions may lead to fatal accidents, injury or damage to property.

This manual must be kept at the place of assembly and operation and must be available to personnel at all times. It must be read, understood and complied with by all personnel carrying out any of the following tasks:

- transportation
- assembly and dismantling
- use
- inspection, cleaning, servicing or maintenance

This manual must be handed over to the new owner if the product is passed on to others.

In addition to this manual, the following documents and regulations must be observed:

- the country-specific accident-prevention regulations
- the recognised special procedures for correct and safe use of scaffolding
- safety regulations for the use of electrical equipment where there is increased risk

**1.2 Explanation of symbols** The following symbols and terms are used in this manual:



**DANGER**

This symbol and the word "Danger" draw attention to imminent danger to the health and safety of personnel. Disregarding these warnings will result in serious or fatal injury.



**WARNING**

This symbol and the word "Warning" draw attention to possibly hazardous situations endangering the health and safety of personnel. Disregarding these warnings may lead to injury or even fatal injury.

Where the exact source of the danger can be localised, the following symbols are used together with the signal words listed above:



This symbol appears next to activities where there is a danger of serious or fatal injury as a result of electric shocks.

The following pictograms are used in the illustrations section of this manual:



Check the scope of delivery.



Wear safety shoes.

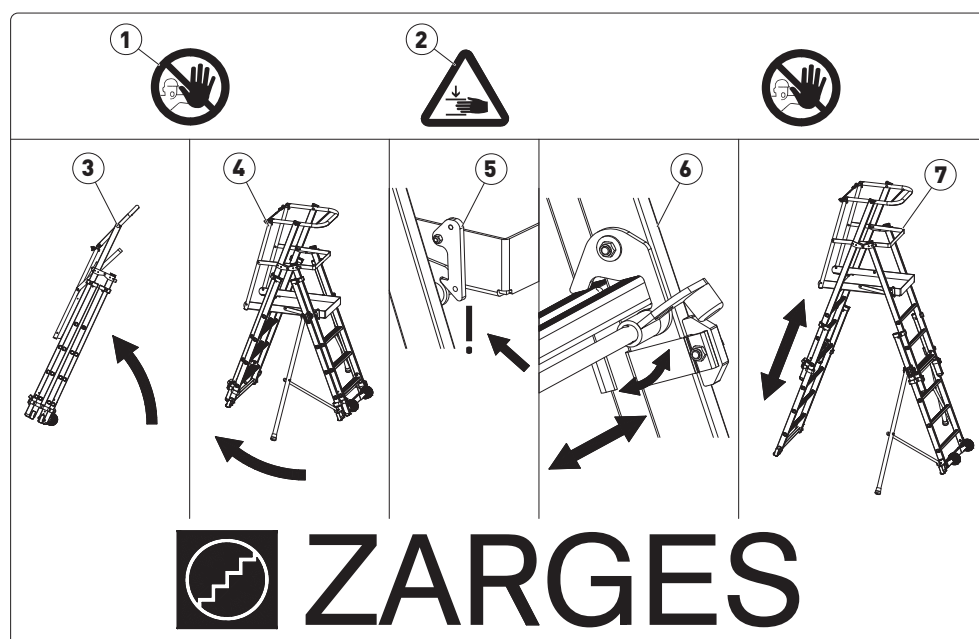


Wear protective gloves.

en

### 1.3 Product nameplate

The product nameplate is attached to the support section on the back of the product. Replace the product nameplate if it becomes illegible.

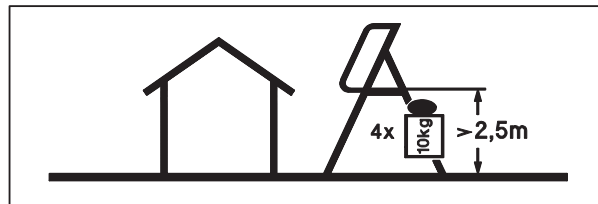


Explanation of the pictograms:

- 1 Do not climb onto the back/the support section of the product.
- 2 Danger of hand injuries.
- 3 Fold the product away after use.
- 4 Unfold the stabiliser when using the product.
- 5 Before using the product, check that the orange platform hook is correctly engaged.
- 6 Release the orange locking mechanism to adjust the height. After adjusting the height, immobilise the locking mechanism.
- 7 The product is height-adjustable.

## 1.4 Information plate

The information plate is attached to the outside of the side platform profile section. Replace the information plate if it becomes illegible.



## 2. Safety instructions

---

### 2.1 Intended use

The ZAP telescopic platform ladder is designed solely for the following applications:

- as a climbing aid to perform work, according to the platform height (see "3.3 Technical data")
- continuous indoor use
- temporary outdoor use
- work involving building materials and other materials, provided that the maximum permissible load (see "3.3 Technical data") is not exceeded

### 2.2 Improper use

Any use not described in Section 2.1 qualifies as improper use. In particular, improper use includes the following:

- use of the product as a stair tower or to bridge a gap in order to gain access to other climbing aids or buildings
- use of the product to support other climbing aids or for any work where the specified maximum heights are exceeded
- use of the product by more than one person at a time
- using the product to transport equipment, material or persons
- using the product to attach lifting tackle, hoists or similar equipment
- use of the product in unfavourable weather conditions (high winds, storms, thunderstorms, rain)
- continuous outdoor use (including overnight and after the end of the shift)
- unauthorised structural modifications or incorrectly executed repairs
- use of any parts other than original components and original ZARGES spare parts

### 2.3 General safety instructions

The product is state-of-the-art and constructed in compliance with the recognised rules of safety engineering. The following section describes the general risks involved when using the product.



#### **DANGER**

#### **DANGER OF FATAL OR SERIOUS INJURY DURING ASSEMBLY AND USE OF THE PRODUCT!**

Follow these basic rules to prevent dangerous situations arising:

- > The surface on which the equipment is assembled and used must be even, immobile and of sufficient load-bearing capacity. If necessary, insert load-distributing pads under the unit.



- > For outdoor use, ballasting is required for the product with Item No. 41328 starting from a platform height of 2.65 m. This is done by attaching a ballast weight, Item No. 41331, to each stabiliser.
- > Check the subsurface for a possible risk of slipping caused by moisture, ice, snow or soiling.
- > Always wear appropriate protective clothing when working on and with the product (protective gloves, safety shoes).
- > Never leave the product unattended in places accessible to the public. Secure the product against unauthorised access.
- > Do not throw materials or tools, but pass them up or down from person to person.
- > Check the equipment for correct functioning before each use. Do not use the product if parts are missing or damaged.

**2.4 Notes for personnel**

Persons under the influence of drugs, alcohol or medication reducing reaction times must not be allowed to handle or work on or with the product.

**2.5 Safety instructions for working with electrical equipment**

The following safety instructions must be observed when:

- working with electrical equipment on the product
- using the product in the vicinity of electrical units
- using the product in the vicinity of overhead power lines



**DANGER**

**DANGER OF ELECTRIC SHOCKS WHEN USING ELECTRICAL EQUIPMENT ON THE PRODUCT!**

Electrical equipment may only be used on the product:

- > with Safety Extra Low Voltage (48 V)
- > with protective insulation (separation transformer)
- > if the equipment is connected via a ground fault circuit interrupter with a residual current of max. 30 mA



**DANGER**

**DANGER OF ELECTRIC SHOCKS WHEN WORKING IN THE VICINITY OF CURRENT-BEARING UNITS!**

The product may only be used in the vicinity of such units if the following conditions are met:

- > The unit must be disconnected and secured against being switched back on.
- > The section of the unit in question must be de-energised.
- > The section of the unit must be earthed by means of an earthing strap.
- > The section of the unit must be insulated against any adjacent current-bearing components.



**DANGER**

**DANGER OF ELECTRIC SHOCKS WHEN WORKING IN THE VICINITY OF OVERHEAD POWER LINES!**

When working near overhead power lines, observe the safety clearances listed in the following table:

Rated voltage (V)	Safety clearance (m)
< 1000 V	1.0 m
1 kV – 110 kV	3.0 m
110 kV – 220 kV	4.0 m

Rated voltage (V)	Safety clearance (m)
220 kV – 380 kV or if the rated voltage is not known	5.0 m

- > When calculating safety clearances, allow for the swinging radius of power lines and the movement radius of working personnel. The movement radius includes any objects held by personnel.
- > If it is not possible to comply with the safety clearances, have the operating authority disconnect the power lines and secure them against being switched back on.

### 3. Technical description

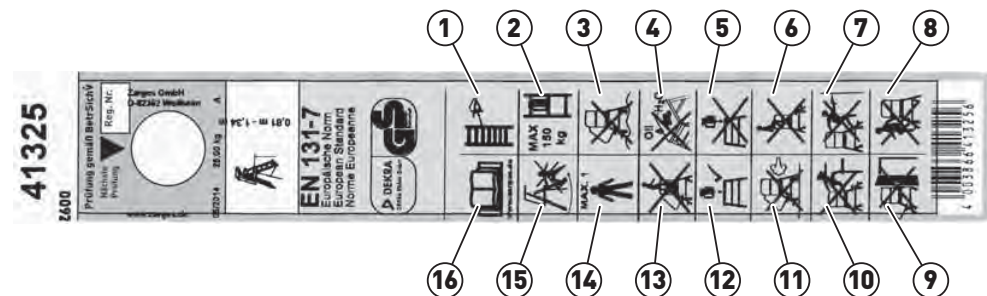
#### 3.1 Scope of delivery

The scope of delivery varies and depends on the specific order.

- Before starting assembly of the product, check that all components listed in the order confirmation and on the delivery note have been supplied and are in perfect condition. For assembly, use only original parts that are free from defects.

#### 3.2 Type plate

For identification of the specific model supplied, see the type plate. The type plate is attached to the outside of the side platform profile section. Replace the type plate if it becomes illegible.



Explanation of the pictograms:

- 1 Carry out visual inspection before use.
- 2 Maximum total permissible load = 150 kg.
- 3 Do not use on surfaces which are uneven or of insufficient load-bearing capacity.
- 4 Do not use the product if there are slippery substances on it.
- 5 Do not subject the equipment to one-sided loads.
- 6 Do not climb on the guardrails.
- 7 Do not lean over the guardrails.
- 8 Always face the steps when climbing down.
- 9 Do not set the product up directly next to a door.
- 10 Do not use the product to climb onto an adjacent building or vehicle.

- 11 In the event of high winds, evacuate the platform ladder and secure it.
- 12 Load the product evenly.
- 13 Do not increase the platform height with additional objects.
- 14 A maximum of 1 person may use the platform steps.
- 15 Secure the product to prevent it rolling away.
- 16 Read the instructions for assembly and use.

### 3.3 Technical data

This section lists the technical data for the product.

The following data apply to all products:

Platform size	665 x 440 mm
Guardrail height	1010 mm

#### 3.3.1 ZAP telescopic platform ladder

Order No.	41325	41326	41327	41328
Platform height without guardrail m	0.81 / 1.08 / 1.34	1.00 / 1.30 / 1.60 / 1.80	1.30 / 1.60 / 1.80 / 2.10 / 2.40	1.85 / 2.12 / 2.38 / 2.65 / 2.90 / 3.15
Number of rungs including platform	5	7	9	12
Base area with stabiliser extended, m x m	1.45 x 1.00	1.90 x 2.25	2.30 x 2.55	2.80 x 2.50
Base area with stabiliser retracted, m x m	1.45 x 1.00	1.91 x 0.81	2.30 x 0.81	2.80 x 0.82
Weight in kg	28	35	38.5	50
Additional weight 4 ballast weights (Item No. 41331) kg	-	-	-	40*

\*required for outdoor use from a platform height of  $\geq 2.50$  m

#### 3.3.2 Permissible load

The following limit values apply to all products:

Permissible load (incl. persons and weight of material)	
Permissible load per rung	150 kg
Total permissible load	150 kg



## 4. Assembly

---

### 4.1 Safety instructions for assembly

- Observe the safety instructions in "2.3 General safety instructions".
- The order for assembly as shown in the illustrations must be observed.

### 4.2 Assembly instructions

The assembly instructions are in the form of diagrams.



See illustrations section of this manual.

### 4.3 Final steps

After assembling the product, check the following:

- > Have all parts included in the scope of delivery been fitted?
- > Have all bolted connections been tightened?

## 5. Use

---

### 5.1 Safety instructions on use

Observe the safety instructions in "2.3 General safety instructions".



#### WARNING

#### DANGER TO LIFE AND LIMB CAUSED BY FALLING FROM THE PRODUCT!

Follow these basic rules to prevent dangerous situations arising:

- > Never brace your full weight against the guardrails.
- > Do not climb on the guardrails. Do not climb on the outside of the product.
- > Do not jump on the treads or the platform.
- > Do not use the product if it is soiled with substances which might cause you to slip (oil, grease etc.).



#### WARNING

#### DANGER TO LIFE AND LIMB IF THE PRODUCT TOPPLES OVER OR COLLAPSES!

Follow these basic rules to prevent dangerous situations arising:

- > Always use the ladder elements to climb onto the product.
- > Do not exceed the maximum permissible load.
- > The product must not be used by more than one person at a time.
- > Do not increase the platform height by using ladders, boxes or other devices.
- > Do not subject the equipment to one-sided loads. Always distribute loads evenly on the platform.
- > Do not use the product directly adjacent to unsecured doors and windows. However, emergency exits must not be locked.
- > Do not use the product on slippery surfaces (e.g. moisture, ice, snow or soiling).
- > Do not attach advertising placards or objects which could increase the wind load.
- > In the event of high winds, evacuate the platform ladder, move it to a wind-sheltered position with the help of several other persons and take appropriate measures to secure it against toppling over (e.g. fit anchors).

- > When using the product in buildings open to the passage of wind, on unclad buildings or building corners, observe wind speeds and, if necessary, take appropriate measures to prevent the product toppling over (e.g. by anchoring it).
- > After finishing work, move the product to a wind-sheltered position and, if necessary, take additional measures to secure it against toppling over (e.g. fit anchors).

## 5.2 Safety instructions for moving the platform ladder

Tilt the product slightly if you are moving it when it is unfolded.



### WARNING

**DANGER OF SERIOUS OR EVEN FATAL INJURY IF THE PRODUCT TOPPLES OVER WHILE MOVING IT!**

Follow these basic rules to prevent dangerous situations arising:

- > Do not move the product as long as there are persons, material or tools on the platform.
- > Always move the product to its new location slowly and by hand. Never use towing trucks or forklifts to move it. Avoid collisions.
- > Only move the product in longitudinal or diagonal direction and on a level, firm and unobstructed surface.

## 6. Dismantling, storage and transport

---

### 6.1 Dismantling

- If necessary, use lifting tackle to lay the product on its side. Do not lift the product by the guardrails or braces. Attach lifting tackle to the body of the access steps or the platform.

### 6.2 Storage

- Store components in a location where they are protected from the elements, and if possible, store them laid flat.

### 6.3 Transport

- Fold the product and pack it for transport.
- Use straps to secure components against sliding or falling during transport.
- Do not throw components during loading or unloading.

## 7. Repairs

---

### 7.1 Cleaning

- Clean the product with a solution of water and a standard cleaning agent.



### WARNING

**DANGER OF SLIPPING CAUSED BY WATER ON THE STANDING SURFACES!**

Dry standing surfaces and holding devices thoroughly after cleaning.

### 7.2 Inspection

- The product must be regularly inspected by a technical expert to ensure that it is safe to operate. The technical expert is authorised to carry out inspection by the operator and must have taken part in the seminars prescribed by law in the country concerned.

- The inspection intervals must be appropriate for the specific operating conditions. Inspection must be carried out at least once a year.
- The inspection must be documented. Check sheets for inspection of the product are available on the ZARGES homepage. After successful inspection, attach the ZARGES inspection plate (Order No. 828384 or 828385) to the product. The month and year in which the next inspection is due must be clearly visible.

## 8. Disposal

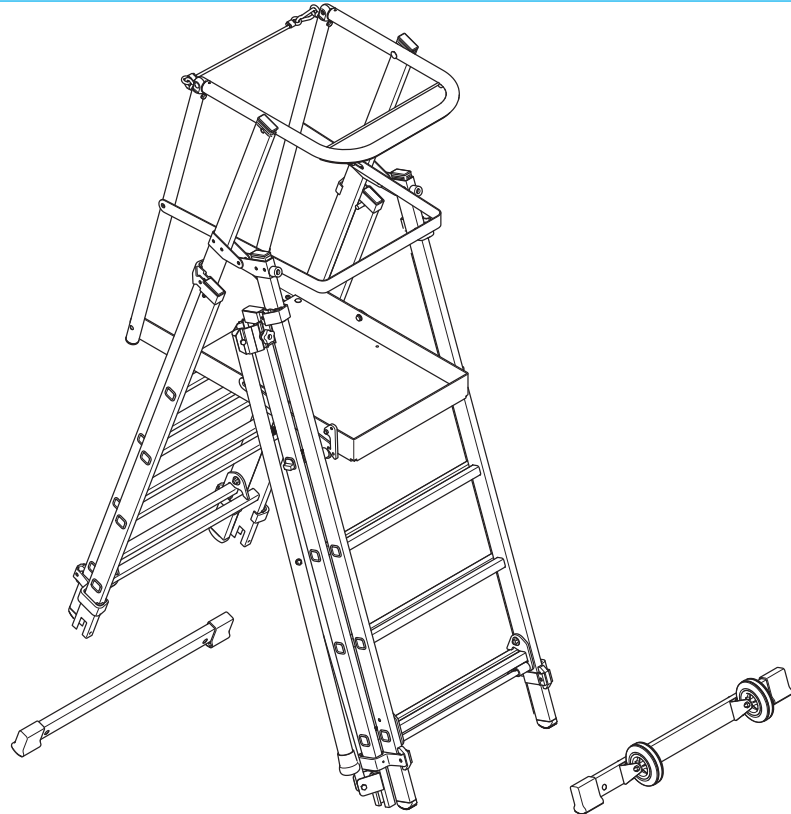
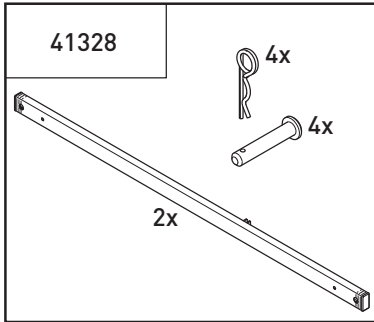
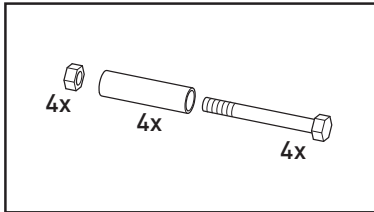
---

The product is made mainly of aluminium. Dispose of the product components as follows:

Aluminium: Recycling

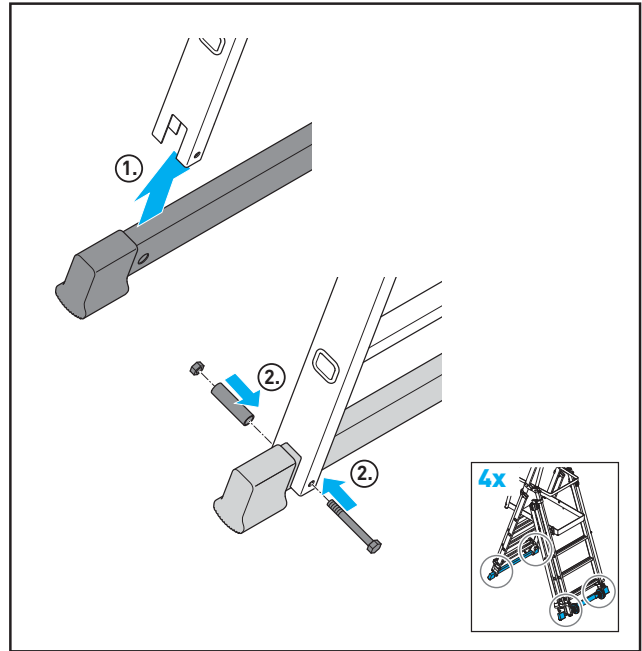
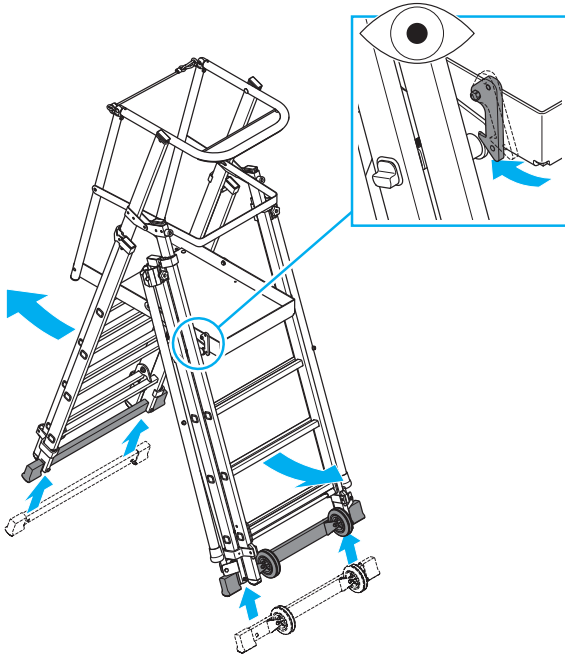
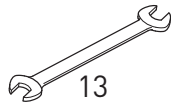
Steel: Recycling

Plastic: Energy recovery (ladder feet, end caps, wheels)

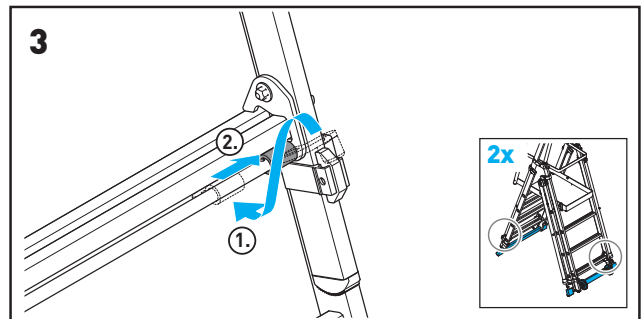
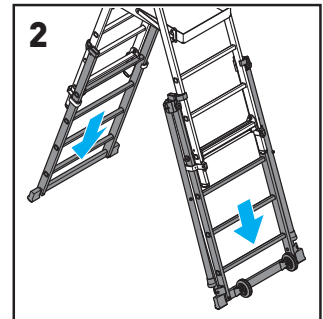
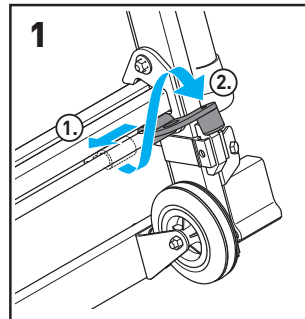
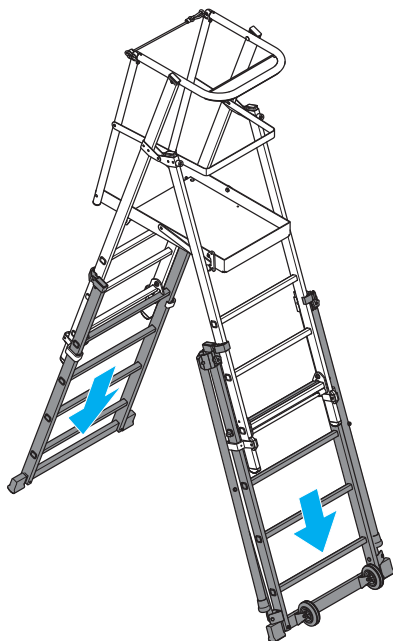


41325	41326	41327	41328

1

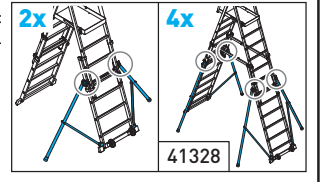
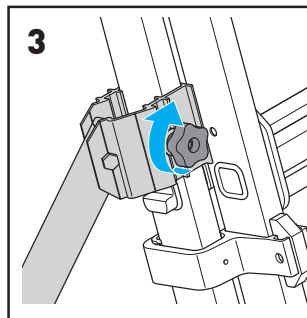
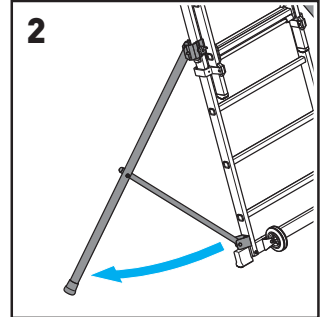
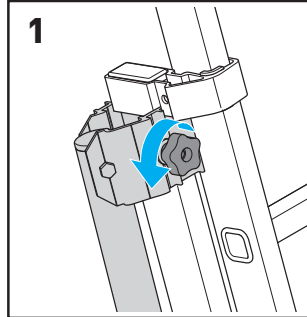
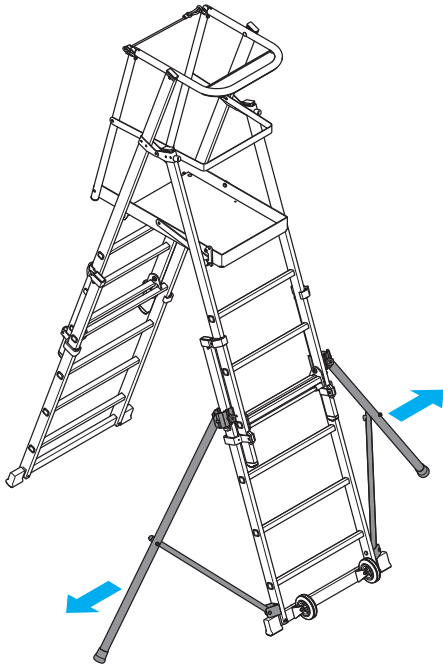


2





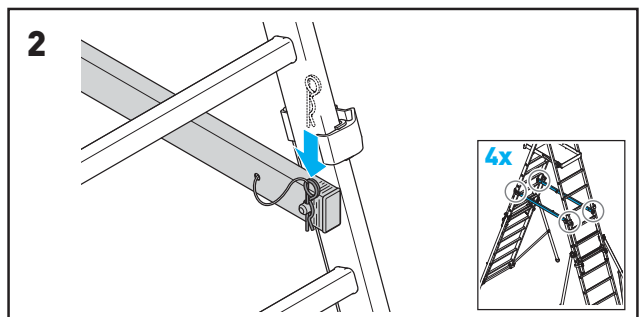
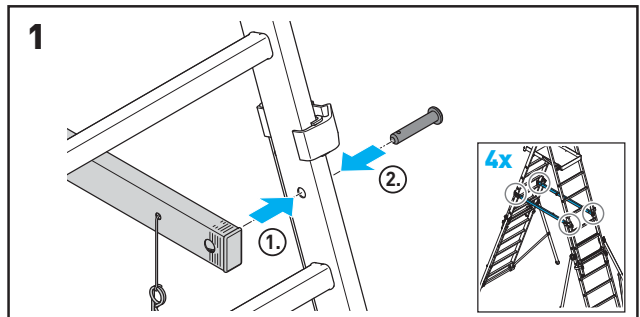
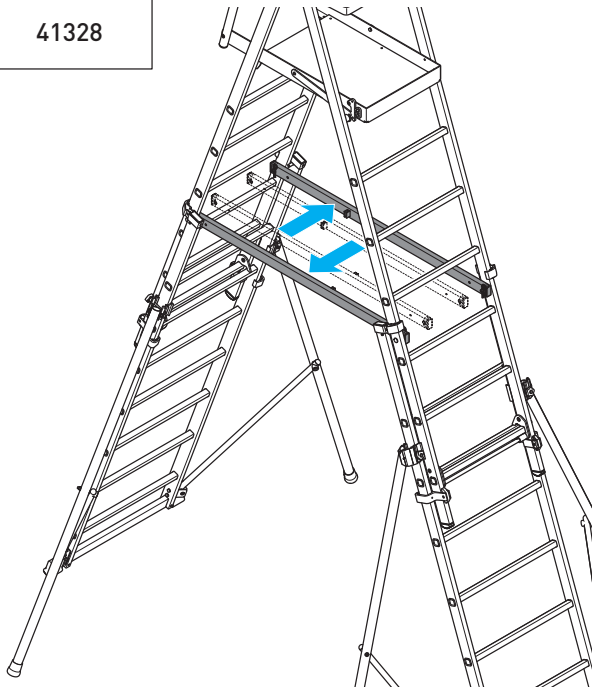
3



4



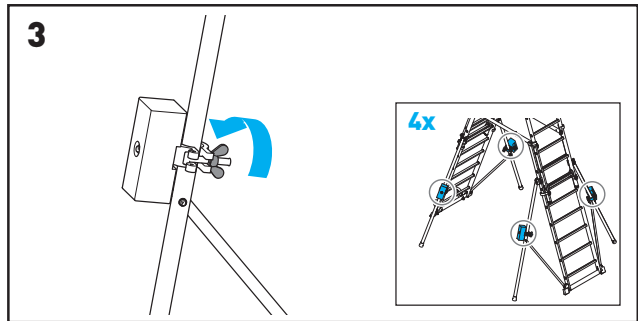
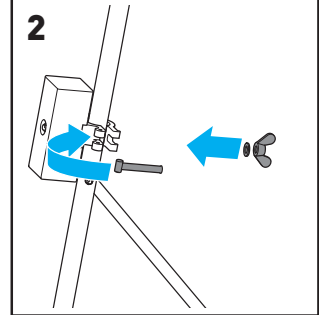
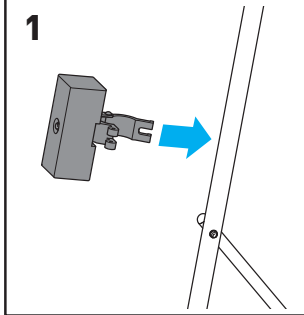
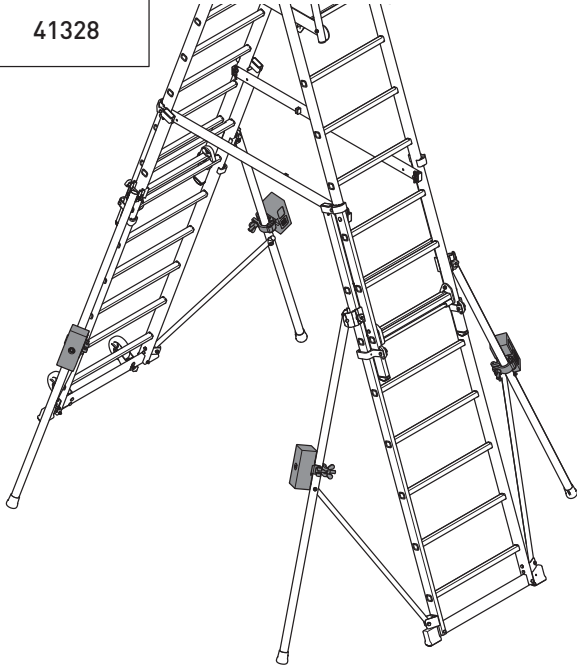
41328



5



41328





**Access Equipment | Call 020 8684 6999**

Scaffold Towers | Ladders & Steps | Podiums | Rigging | Tube & Fittings  
New & Used Sales | Hire | Repair | Manufacture

ZARGES GmbH

Postfach 16 30  
82360 Weilheim

Tel: + 49-8 81/68 71 00  
Fax: +49-8 81/68 75 00

E-Mail: [zarges@zarges.de](mailto:zarges@zarges.de)  
Internet: <http://www.zarges.de>